

WINCORE™

WINDOWS & DOORS

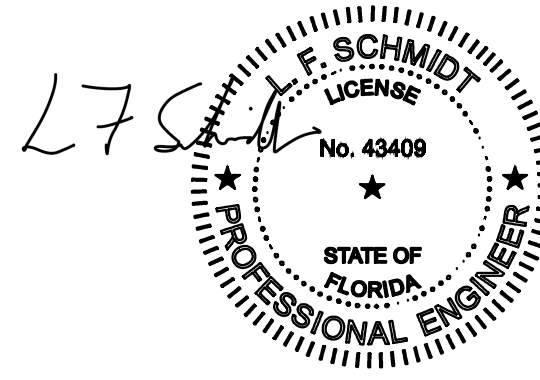
250 Staunton Turnpike, Parkersburg, WV 26104

8400 Series Vinyl Sliding Patio Door "NON-IMPACT"

GENERAL NOTES

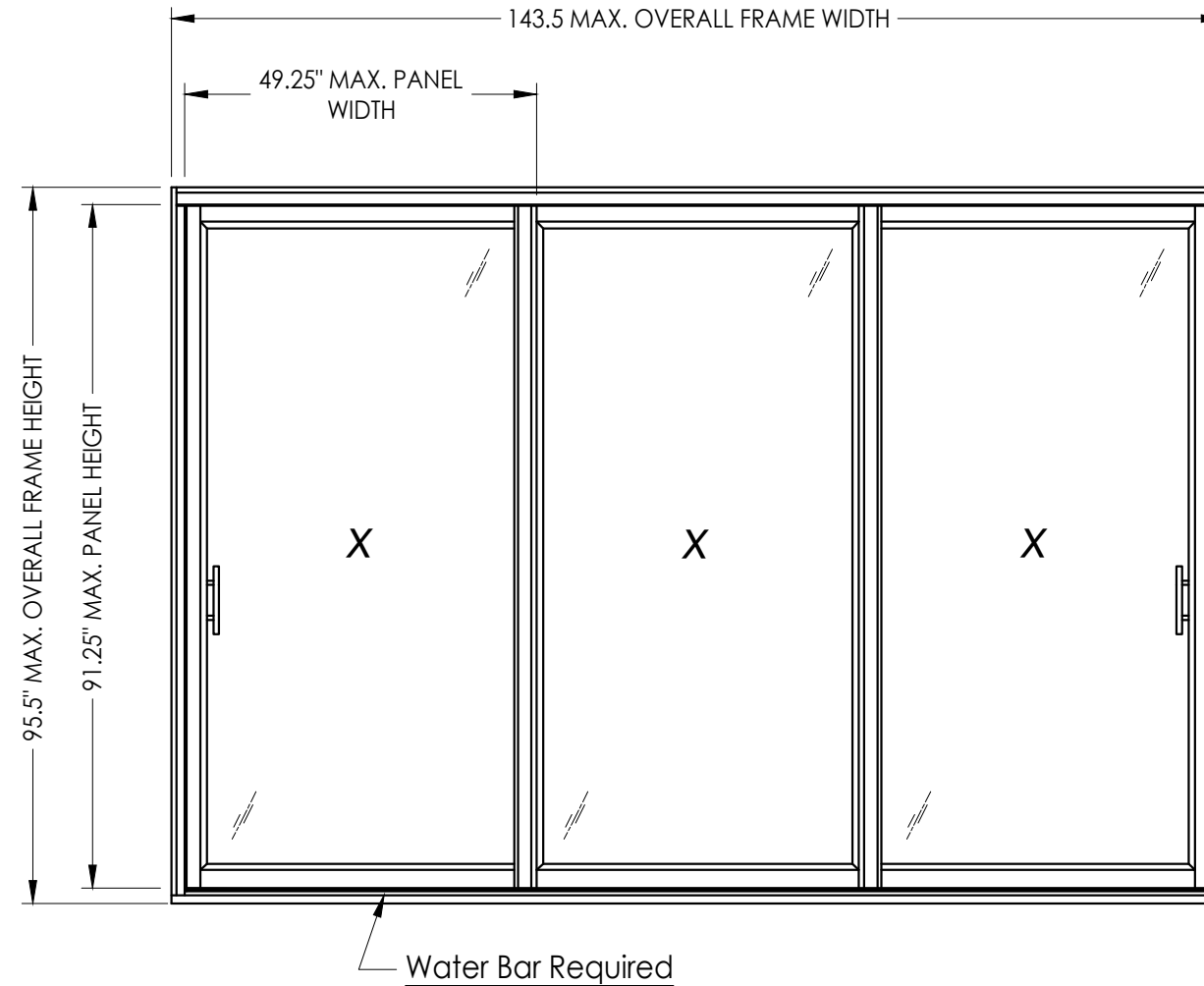
1. This product has been evaluated and is in compliance with the 8th Edition (2023) Florida Building Code (FBC) structural requirements excluding the "High Velocity Hurricane Zone" (HVHZ).
2. Product anchors shall be as listed and spaced as shown on details. Anchor embedment to base material shall be beyond wall dressing or stucco.
3. When used in areas requiring wind borne debris protection this product is required to be protected with an impact resistant covering that complies with FBC Sections 1609.1.2 & R301.2.1.2.
4. For 2x stud framing construction, anchoring of these units shall be the same as that shown for 2x buck masonry construction.
5. Site conditions that deviate from the details of this drawing require further engineering analysis by a licensed engineer or registered architect.

TABLE OF CONTENTS	
SHEET #	DESCRIPTION
1	Typical elevation, design pressures & general notes
2	Horizontal and vertical cross sections
3	Horizontal and vertical cross sections
4	Buck & frame anchoring
5	Components
6	Bill of materials & glazing detail



This item has been digitally signed and sealed by L. F. Schmidt, P.E. on the date adjacent to the seal. Printed copies of this document are not considered signed and sealed and the signature must be verified on any electronic copies.

THIS PRODUCT APPROVAL IS VALID ONLY FOR THE STATE OF FLORIDA



OVERALL FRAME DIMENSION	MAX. PANEL DIMENSION	MAX. D.L.O. DIMENSION	GLASS TYPE	DESIGN PRESSURE (PSF)	
				POSITIVE	NEGATIVE
143.5" x 95.5"	49.25" X 91.25"	42.375" X 85.0"	G1	+50.0	-50.0

Documents Prepared By: Lyndon F. Schmidt P.E. No. 43409

BUILDING CONSULTANTS, INC. P.O. Box 230, Vairico, FL 33595 Phone No.: 813.659.9197 .FBPE Registry No. 9813

PRODUCT: 8400 SERIES VINYL SLIDING PATIO DOORS

PART OR ASSEMBLY: TYPICAL ELEVATION, DESIGN PRESSURES & GENERAL NOTES

NO.	DATE	REVISIONS
1	7/06/23	UPDATE TO 8TH ED. (2023) FBC

DATE: 7/18/22

SCALE: N.T.S.

DWG. BY: LFS

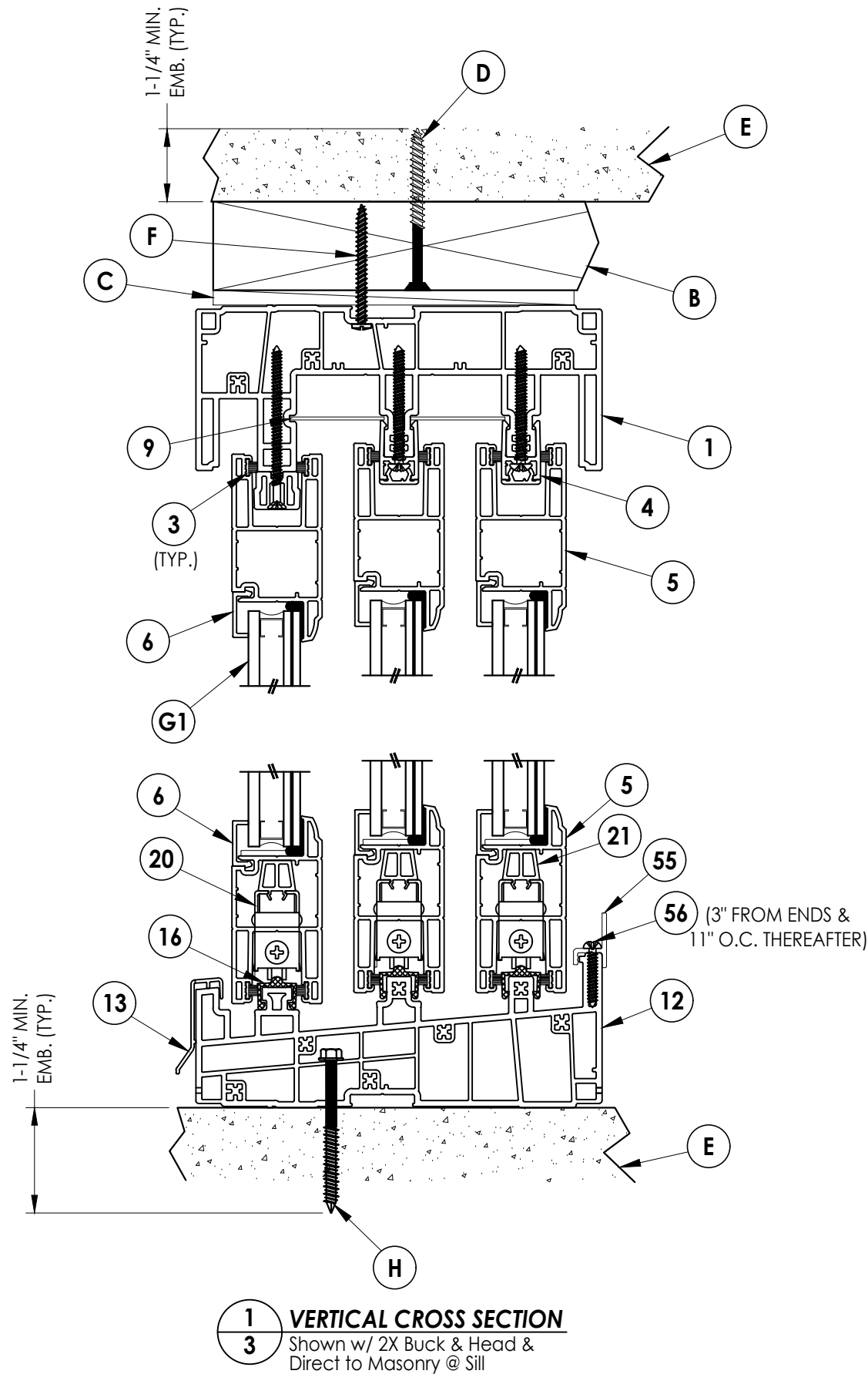
CHK. BY: RW

DRAWING NO.: FL-16216.15

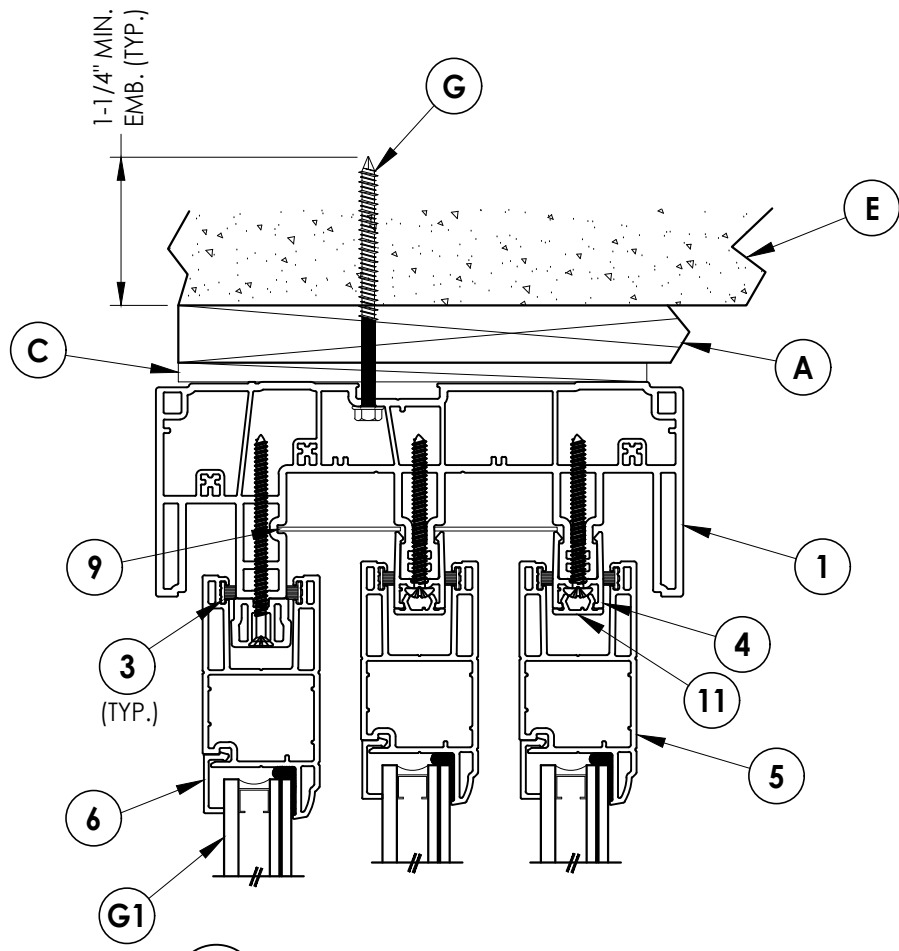
SHEET 1 OF 6

© 2022 R.W. BUILDING CONSULTANTS INC.

Z:\2023 FBC Drawings\Wincore Window Company\FL-16216 R14\FL-16216.15.dwg



1 VERTICAL CROSS SECTION
 3 Shown w/ 2X Buck & Head & Direct to Masonry @ Sill



2 VERTICAL CROSS SECTION
 3 Shown w/ 1X Buck

DATE:	7/18/22
SCALE:	N.T.S.
DWG. BY:	LFS
CHK. BY:	RW
DRAWING NO.:	FL-16216.15
SHEET	3 OF 6

NO.	DATE	REVISIONS
1	7/06/23	UPDATE TO 8TH ED. (2023) FBC
		LFS BY

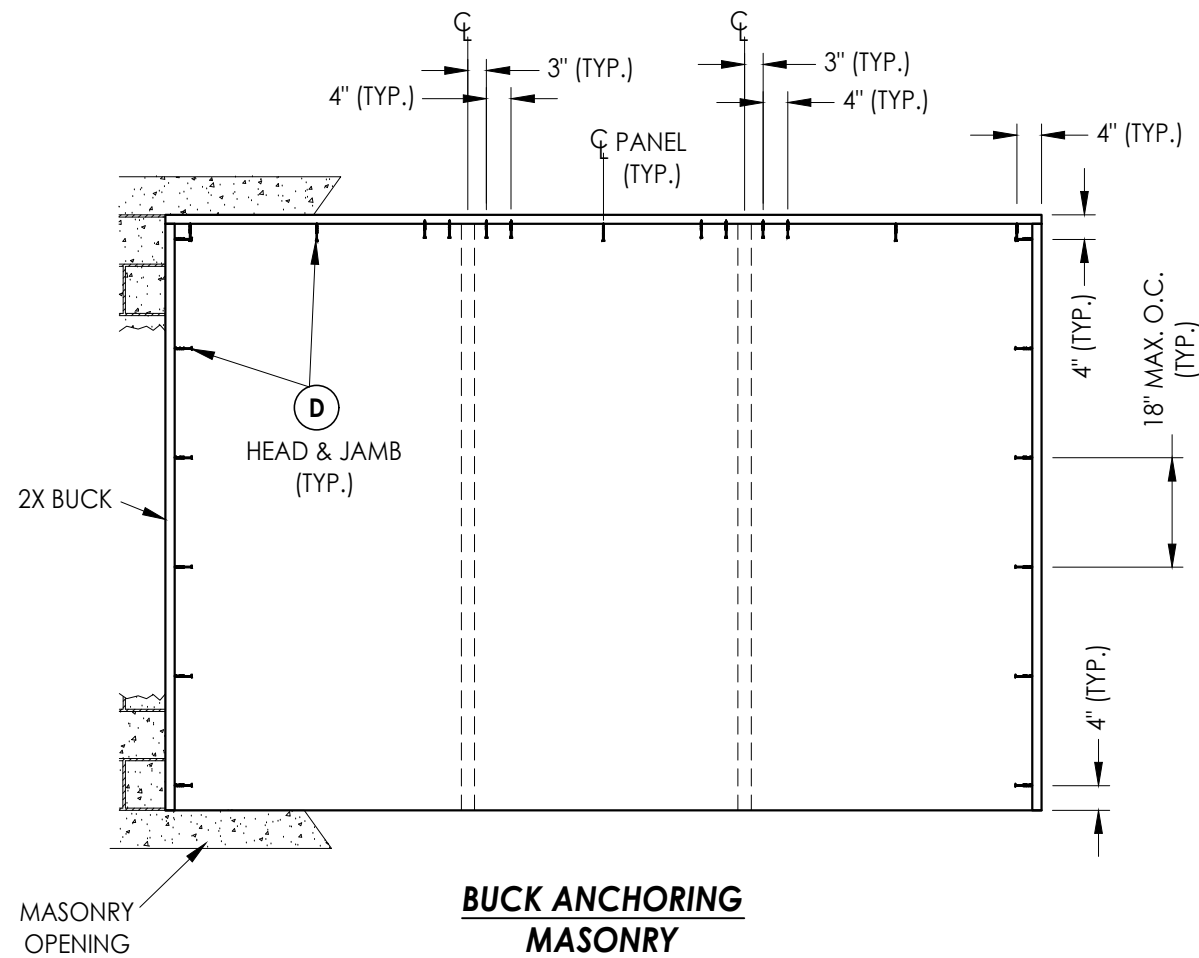
PRODUCT:
 8400 SERIES VINYL
 SLIDING PATIO DOORS

PART OR ASSEMBLY:
 HORIZONTAL & VERTICAL
 CROSS SECTIONS

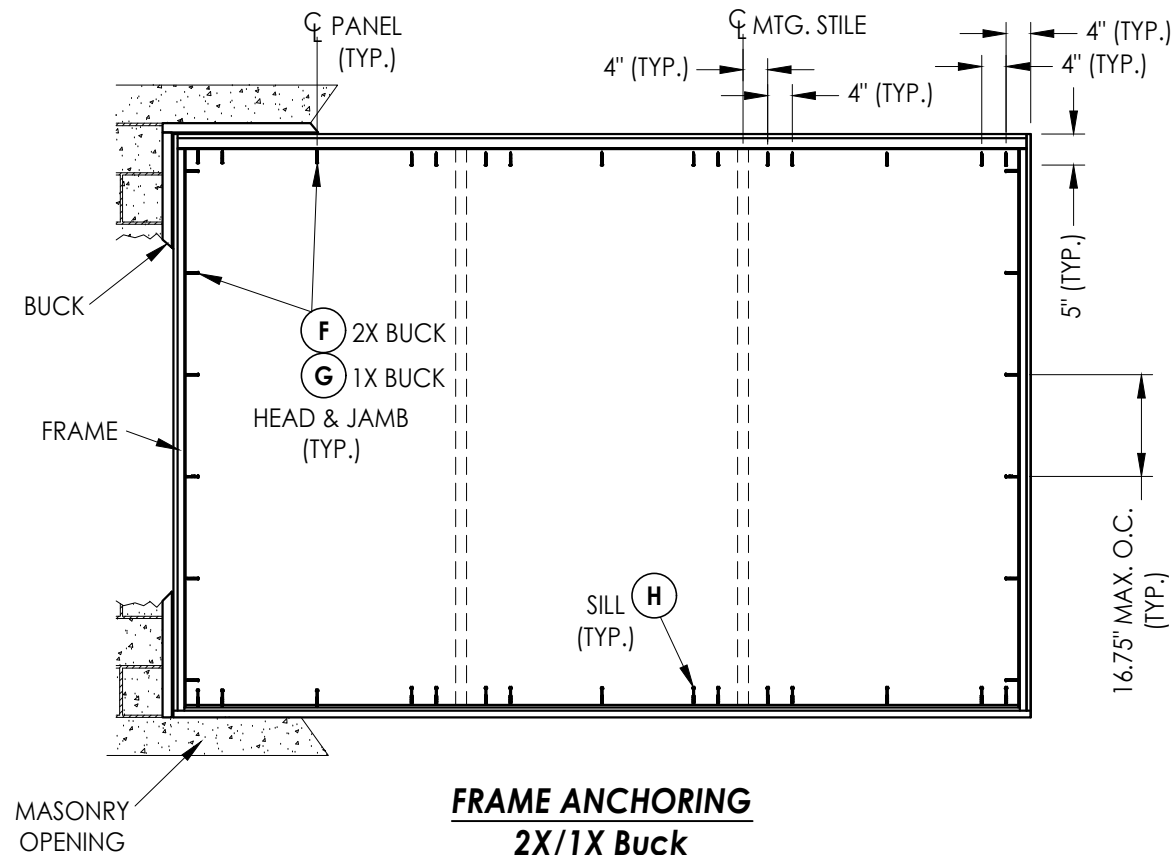
Documents Prepared By:
 Lyndon F. Schmidt
 P.E. No. 43409

RW BUILDING CONSULTANTS, INC.
 P.O. Box 230, Valrico, FL 33595
 Phone No.: 813.659.9197
 . FBPE Registry No. 9813

Z:\2023 FBC Drawings\Wincore Window Company\FL-16216 R14\FL-16216.15.dwg



**BUCK ANCHORING
MASONRY**



**FRAME ANCHORING
2X/1X Buck**

CONCRETE ANCHOR NOTES:

1. Concrete anchor locations at the corners may be adjusted to maintain the min. edge distance to mortar joints.
2. Concrete anchor locations noted as "MAX. ON CENTER" must be adjusted to maintain the min. edge distance to mortar joints, additional concrete anchors may be required to ensure the "MAX. ON CENTER" dimension are not exceeded.
3. Concrete anchor table:

ANCHOR TYPE	ANCHOR SIZE	MIN. EMBEDMENT	MIN. CLEARANCE TO MASONRY EDGE	MIN. CLEARANCE TO ADJACENT ANCHOR
ITW TAPCON®	1/4"	1-1/4"	2"	4"
DeWALT ULTRACON®	1/4"	1-1/4"	1"	4"

WOOD SCREW INSTALLATION NOTES:

1. Maintain a minimum 5/8" edge distance, 1" end distance, & 1" o.c. spacing of wood screws to prevent the splitting of wood.

Documents Prepared By:
Lyndon F. Schmidt
P.E. No. 43409

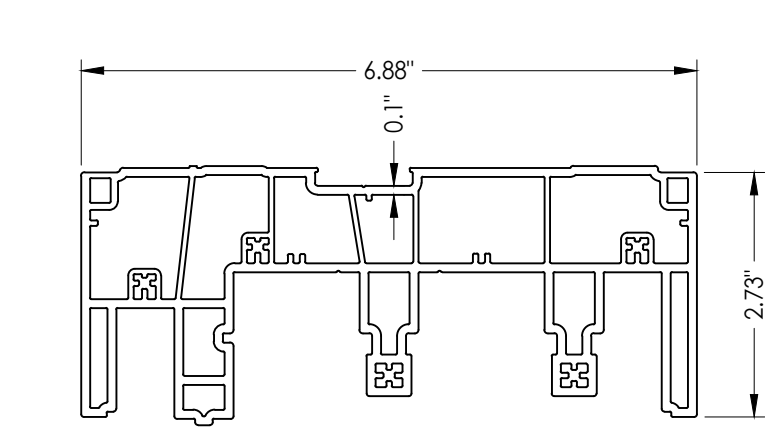
RW BUILDING CONSULTANTS, INC.
P.O. Box 230, Vairico, FL 33595
Phone No.: 813.659.9197
.FBPE Registry No. 9813

PRODUCT:
8400 SERIES VINYL
SLIDING PATIO DOORS

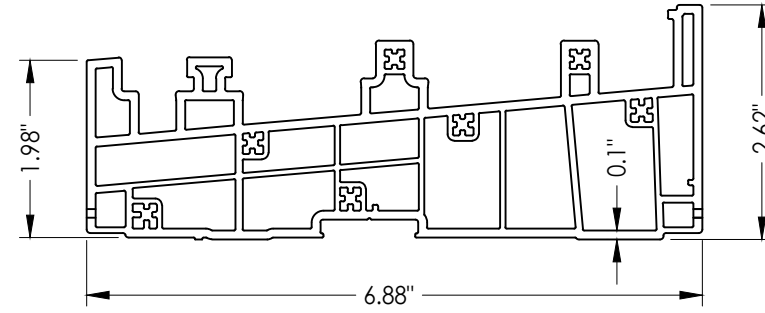
PART OR ASSEMBLY:
BUCK & FRAME
ANCHORING

NO.	DATE	REVISIONS
1	7/06/23	UPDATE TO 8TH ED. (2023) FBC
		LFS
		BY

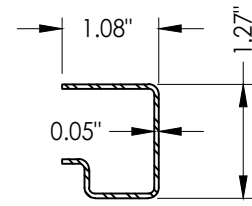
DATE: 7/18/22
SCALE: N.T.S.
DWG. BY: LFS
CHK. BY: RW
DRAWING NO.:
FL-16216.15
SHEET 4 OF 6



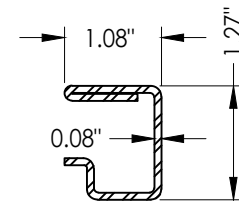
1 FRAME HEAD



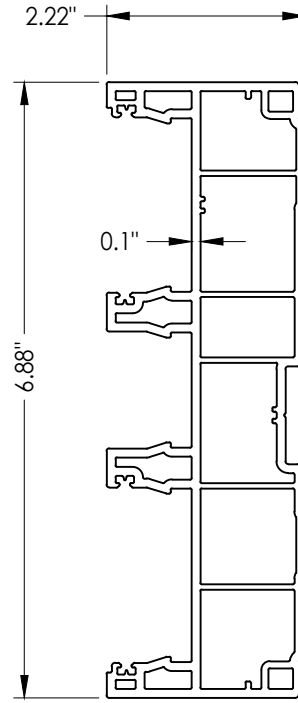
12 FRAME SILL



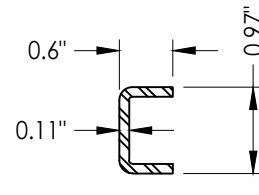
51 REINFORCEMENT
Lock Stile



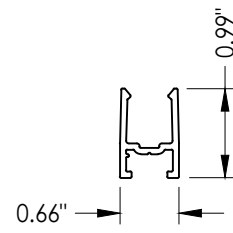
52 REINFORCEMENT
Meeting rail



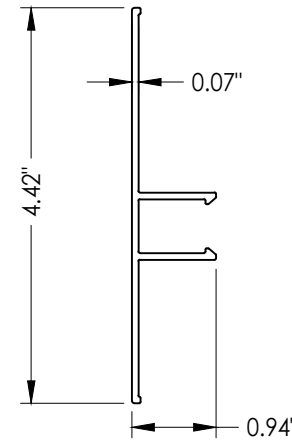
2 FRAME JAMB



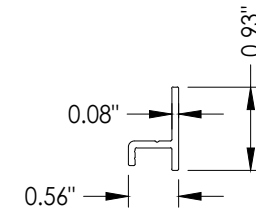
53 REINFORCEMENT
Meeting rail



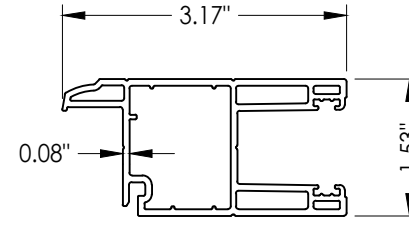
4 HEAD TRACK



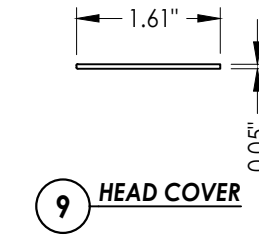
8 JAMB COVER



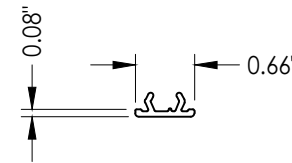
55 WATER BAR



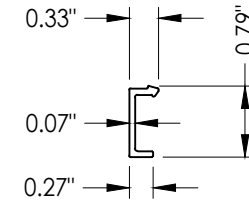
5 STILE & RAIL



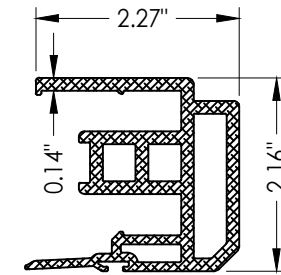
9 HEAD COVER



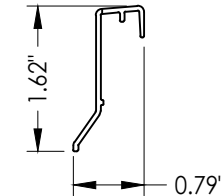
11 HEAD COVER RAIL



6 GLAZING BEAD



10 INTERLOCK



13 SILL CLADDING

Documents Prepared By:
Lyndon F. Schmidt
P.E. No. 43409

RW BUILDING CONSULTANTS, INC.
P.O. Box 230, Valrico, FL 33595
Phone No.: 813.659.9197
FBPE Registry No. 9813

PRODUCT:
8400 SERIES VINYL
SLIDING PATIO DOORS

PART OR ASSEMBLY:
COMPONENTS

NO.	DATE	DESCRIPTION	BY
1	7/06/23	UPDATE TO 8TH ED. (2023)	LFS

DATE:	7/18/22
SCALE:	N.T.S.
DWG. BY:	LFS
CHK. BY:	RW
DRAWING NO.:	FL-16216.15
SHEET	5 of 6

